

## **Model R32BTPC Royalton 32 Basket Transport Cart**



Shown with optional dolly  
\*Dolly sold seperately

---

### **Performance Features**

---

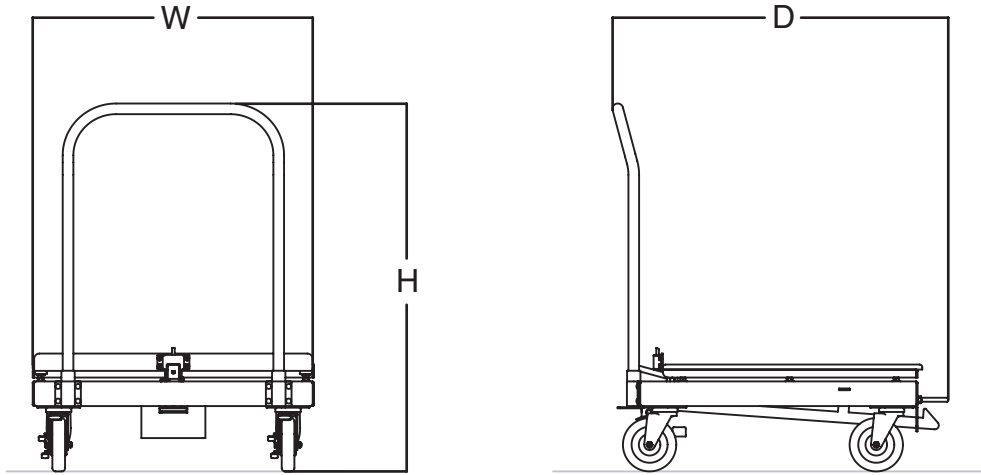
- Royalton's self aligning, self docking transport cart model #R32BTPC shall be fully compatible for use with the Royalton roll-in convection oven model #R32BRTO and the Royalton roll-in holding unit model #R32BHHW
- Dolly model #R32BTFD to be sold separately
- Load capacity: 500# max.

---

### **Construction Features**

---

- Transport cart release lever
- Dolly guide rail
- 3/8" guide pin
- Dolly release lever
- Removable push/pull handle
- Height adjusting screw
- Spring loaded dolly release pin
- Docking hook
- Frame construction shall be of .125" thick formed aluminum
- Release levers shall be constructed of 12 gauge stainless steel
- Removable push/pull handle shall be constructed of 1" O.D. x .125" thick aluminum tubing
- Unit shall be equipped with four 5" diameter polyurethane swivel casters (two without brake on front and two with brake on rear)
- Two 3/8" diameter x 3-1/2" long stainless steel guide pins
- Four 5/16-18 x 2-3/8" long stainless steel height adjusting screws
- One .250" diameter stainless steel spring loaded dolly release pin and one 12 gauge stainless steel docking hook
- Dimensions with handle: 27-3/8" W x 35" D x 38" H
- Weight: 33 pounds



Model Number	Height (H)	Depth (D)	Width (W)	Shipping Wt. (lbs)
R32BTPC	34½"	35"	27 <sup>3</sup> / <sub>8</sub> "	33

***Bidding Specifications***

Royalton Model # R32BTPC self aligning, self docking basket transport cart. Cart shall be fully compatible for use with Royalton roll-in retherm/convection oven R32BRTO and the Royalton roll-in holding unit R32BHHW. Cart to be constructed of aluminum and stainless steel.

NOTE: Cart, dolly, and baskets sold seperately.