

Model RCS Series Heated Carving Station

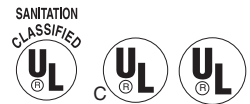


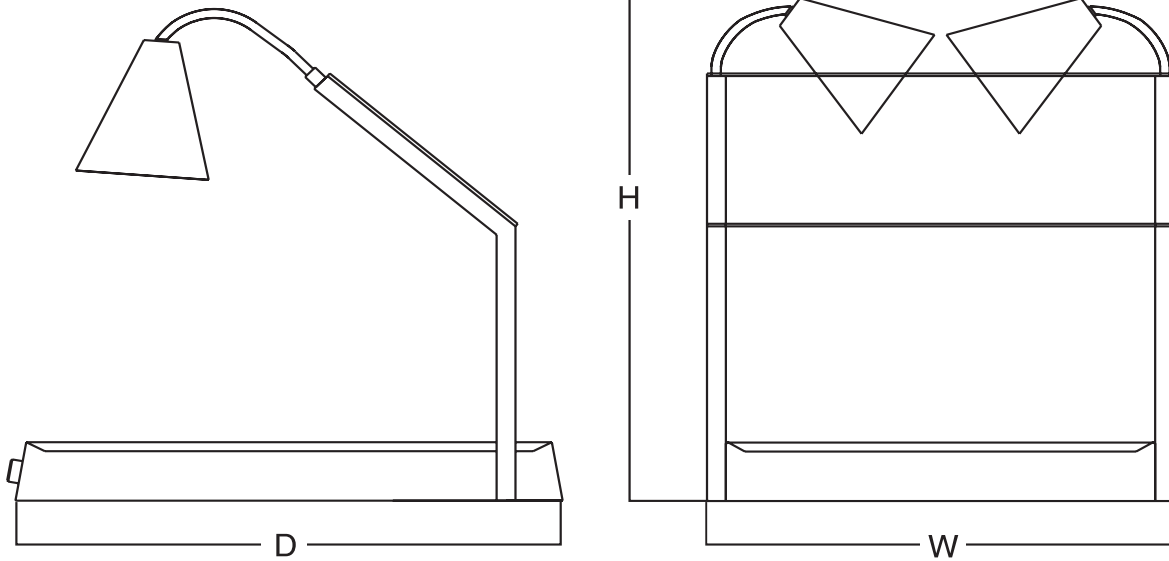
Performance Features

- Top and bottom heat to assure proper temperatures and even heat distribution
- Designed to allow carving of all types of roasts and meat products
- Lighted for increased presentation of product

Construction Features

- All stainless steel construction
- Sneeze guard
- On/off switch and thermostat to control base heat
- Cutting board included
- Four 1" adjustable legs





Model Number	Height (H)	Depth (D)	Width (W)	Shipping Wt. (lbs)	Volts	Total Watts	Amps	Hertz/Phase	Power Cord Plug (NEMA)
RCS-1850-2	34 ³ / ₄	29	22 ³ / ₄	55	120	900	7.5	50/60 1Ø	5-15P 

Bidding Specifications

Royalton Model # RCS-___, heated carving station, all stainless steel construction, individually controlled for heat and light, sneeze guard, strip heater with aluminum heat sink.