

Model RSH-1200 Series Radiant Heated Transport Cabinet

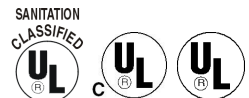


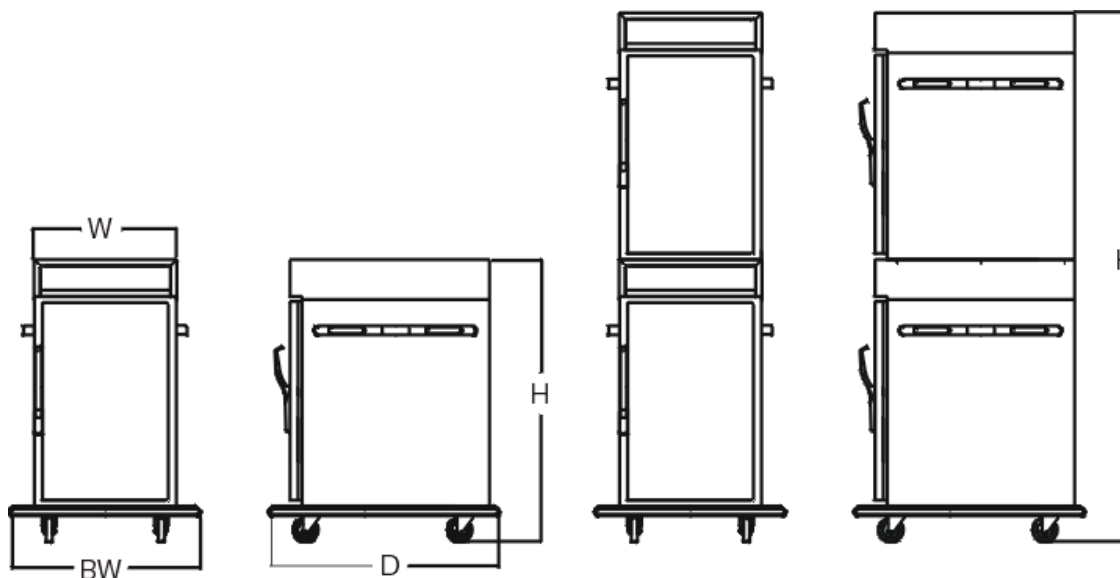
Performance Features

- **Gentle Touch™** Radiant Heat Hold produces unsurpassed holding times
- Designed for safe and secure transport of product from one location to another
- 24 hour (or longer) holding capability for all types of meats
- Induces optimum enzyme action to naturally tenderize or "age" meats
- Delivers more flavorful, tender, and juicer meats
- Superior holding capability allows for banquet preparation well in advance of serving time
- Maintains just cooked appearance and flavor in excess of reasonable holding times
- Hold temperature range: 75F – 200F

Construction Features

- Self-contained power module for ease of service
- Removable twist lock cord set
- Fully insulated construction
- Type 304 welded stainless steel body
- 12 gauge stainless steel internal frame for strength
- Field reversible doors
- Latch is magnetic/mechanical style
- Long lasting, high temperature silicone door gasket
- Four heavy duty, 5" swivel casters, two with brakes
- Full perimeter bumper
- Transport Latch
- Lift out oven interior for easy cleaning
- Radiant heat source in side walls for superior performance and serviceability





Model Number	Standard Pan Capacity Per Cabinet			Height (H)	Depth (D)	Width (W)	Base Width (BW)	Shipping Wt. (lbs)	Volts	Total Watts Per Cabinet	Amps Per Cabinet	Hertz/Phase	Power Cord Plug (NEMA)
	18x26x1 Sheet	12x20x2½ Pan	13x26x2⅝ Basket										
RSH-1205		5		27 ⁵ / ₈	28 ⁵ / ₈	17 ³ / ₄	23 ³ / ₄	94	120	1000	8.6	50/60 Single Phase	
RSH-1205 Stacked				50 ³ / ₈				188					
RSH-1206		6		30 ¹ / ₂				121					
RSH-1206 Stacked				56 ¹ / ₈				292					
RSH-1208		8		34 ¹ / ₂				141					
RSH-1208 Stacked				64 ¹ / ₈				282					
RSH-1209		9		39 ⁵ / ₈				165					
RSH-1209-Stacked				74				330					

Bidding Specifications

Royalton Model # RSH-12___, gentle radiant heated transport cabinet, fully insulated, all stainless steel construction with in-wall radiant heating and solid-state controls incorporated in the self-contained power module. Digital temperature readout.

Options

- Correctional Package
- Casters – Specials and Sizes
- Push-Pull Handles
- Shelving – Wire Rack
- Latch Magnetic/Mechanical w/Key Lock

Accessories

- Cold Pack
- Wire Rack
- Stacking Kit
- Universal Slides