

Model RHHR-C3R Series Radiant Heated Holding Cabinet



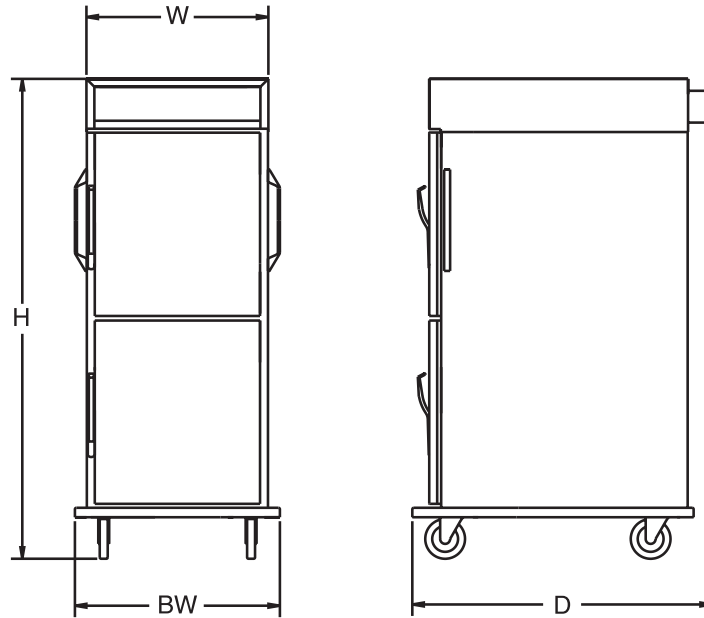
Performance Features


- **Gentle Touch™** *Radiant Heat Hold* produces unsurpassed holding times
- 24 hour (or longer) holding capability for all types of meats
- Induces optimum enzyme action to naturally tenderize or “age” meats
- Delivers more flavorful, tender, and juicer meats
- Superior holding capability allows for banquet preparation well in advance of serving time
- Maintains just cooked appearance and flavor in excess of reasonable holding times
- Hold temperature range: 75F – 200F

Construction Features

- Self-contained power module for ease of service
- Removable twist lock cord set
- Fully insulated construction
- Type 304 welded stainless steel body
- 12 gauge internal frame for strength
- Field reversible dutch doors
- Latch is magnetic/mechanical style
- Long lasting, high temperature silicone door gasket
- Four heavy duty, 5” swivel casters, two with brakes
- Lift out oven interior for easy cleaning
- Radiant heat source in side walls for superior holding and serviceability
- Push/pull handles





Model Number	Pan Capacity Per Holding Cabinet Pan Spacing Per Holding Cabinet C3R 3 1/4" Fixed C3USR 1 1/2" Adjustable						Height (H)	Depth (D)	Width (W)	Base Width (BW)	Shipping Wt. (lbs)	Volts	Total Watts Per Holding Compartment	Total Amps Per Holding Compartment	Hertz/Phase	Power Cord Plug (NEMA)
	18x26x1 Sheet		12x20x2 1/2 Pan		13x26x2 5/8 Basket											
	STD *	MAX	STD *	MAX	STD	MAX										
RHHR-2000-C3R	12	12					60 ^{3/8}	37 ^{1/2}	22 ^{3/4}	25 ^{3/4}	378	120	2000	16.6	50/60 1Ø	5-20P 
RHHR-2000-C3USR	9	25+	18	26+					26	29						

+ Requires additional pan slides

Bidding Specifications

Royalton Model # RHHR-2000-C3__R, gentle radiant heated holding cabinet, fully insulated, all stainless steel construction, dutch doors with in-wall radiant heating and solid-state controls incorporated in the self-contained, power module. Digital temperature readout.

Options

- Correctional Package
- Casters – Specials and Sizes
- Pass-Through Doors
- Tempered Glass Doors Full View
- Transport Latch
- Legs
- Perimeter Bumper
- Raised Wire Grid for 18x26 Pan
- Wire Shelf Interior
- Cold Pack
- Latch Magnetic/Mechanical w/Key Lock

* RHHR-C3R body furnished with fixed pan slides to hold (12) 18x26 pans max.

* RHHR-C3USR body furnished with 9 sets of adjustable universal pan slides, optional up to 25 sets.