

## **Model RHHR-C1R Series Radiant Heated Holding Cabinet**



---

### **Performance Features**

---

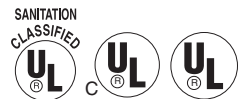
- **Gentle Touch™** *Radiant Heat Hold* produces unsurpassed holding times
- 24 hour (or longer) holding capability for all types of meats
- Induces optimum enzyme action to naturally tenderize or “age” meats
- Delivers more flavorful, tender, and juicer meats
- Superior holding capability allows for banquet preparation well in advance of serving time
- Maintains just cooked appearance and flavor in excess of reasonable holding times
- Hold temperature range: 75F – 200F

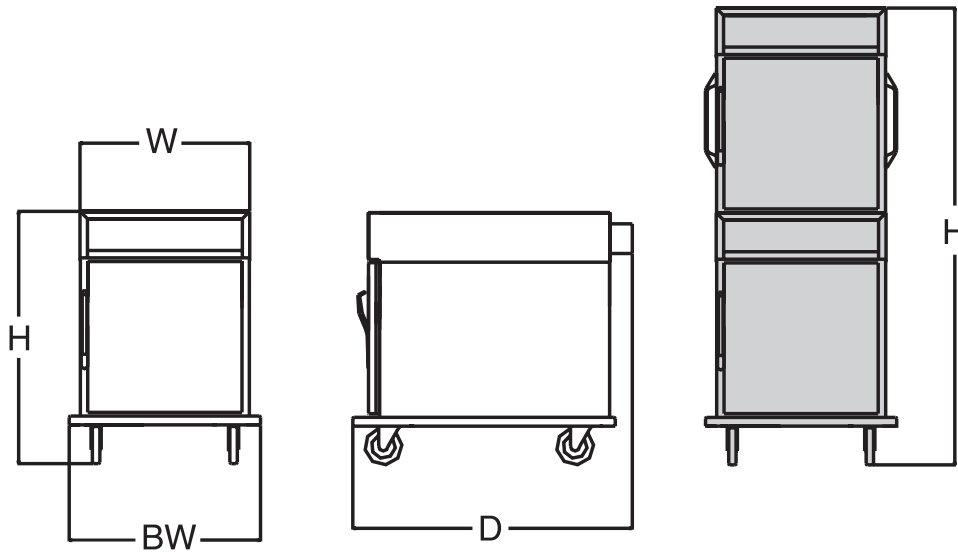
---


### **Construction Features**

---

- Self-contained power module for ease of service
- Removable twist lock cord set
- Fully insulated construction
- Type 304 welded stainless steel body
- 12 gauge internal frame for strength
- Field reversible doors
- Latch is magnetic/mechanical style
- Long lasting, high temperature silicone door gasket
- Four heavy duty, 5” swivel casters, two with brakes
- Lift out oven interior for easy cleaning
- Radiant heat source in side walls for superior holding and serviceability





Model Number	Pan Capacity Per Holding Cabinet Pan Spacing Per Holding Cabinet C1R 3 <sup>3</sup> / <sub>8</sub> " Fixed C1USR 1 <sup>1</sup> / <sub>2</sub> " Adjustable						Height (H)	Depth (D)	Width (W)	Base Width (BW)	Shipping Wt. (lbs)	Volts	Total Watts Per Holding Compartment	Total Amps Per Holding Compartment	Hertz/Phase	Power Cord Plug (NEMA)
	18x26x1 Sheet		12x20x2 <sup>1</sup> / <sub>2</sub> Pan		13x26x2 <sup>5</sup> / <sub>8</sub> Basket											
	STD *	MAX	STD *	MAX	STD	MAX										
RHHR-1000-C1R	5	5					34	35 <sup>3</sup> / <sub>8</sub>	22 <sup>3</sup> / <sub>4</sub>	25 <sup>3</sup> / <sub>4</sub>	218	120	1000	8.6	50/60 1Ø	5-15P 
RHHR-1000-C1RX •	10	10								436						
RHHR-1000-C1USR	4	10+	8	10+			34		26	29	237					
RHHR-1000-C1USRX •	8	20+	16	20+							474					

X Denotes stacked unit. + Requires additional pan slides  
• Two electrical circuits required

### Bidding Specifications

Royalton Model # RHHR-1000-C1\_\_R, gentle radiant heated holding cabinet, fully insulated, all stainless steel construction with in-wall radiant heating and solid-state controls incorporated in the self-contained, power module. Digital temperature readout.

### Options

- Correctional Package
- Casters – Specials and Sizes
- Pass-Through Doors
- Tempered Glass Doors Full View
- Transport Latch
- Side Lift Handles
- Legs
- Perimeter Bumper
- Raised Wire Grid for 18x26 Pan
- Wire Shelf Interior
- Cold Pack
- Stacking Kit
- Latch Magnetic/Mechanical w/Key Lock

\* RHHR-C1R body furnished with fixed pan slides to hold (5) 18x26 pans max.

\* RHHR-C1USR body furnished with 4 sets of universal pan slides, optional up to 10 sets.

NOTE: Double quantities for stacked units.